

MAX-8

V1909.01



MAX-8

Excellent Performances & Reliability

CPCD50-100T8

T8 Diesel Forklift 5.0/6.0/7.0/8.0/10.0t

EP EQUIPMENT CO.,LTD
www.ep-ep.com



CPCD50/60/70T8

T8 series 5.0-7.0t forklift specification:-

General		EP													
		CPCD50T8	CPCD60T8	CPCD70T8	CPCD50T8	CPCD60T8	CPCD70T8	CPCD50T8	CPCD60T8	CPCD70T8	CPCD50T8	CPCD60T8	CPCD70T8		
1	Manufacture														
2	Model														
3	Power type	Diesel													
4	Rated capacity	Kg	5000	6000	7000	5000	6000	7000	5000	6000	7000	5000	6000	7000	
5	Load center	mm	600												
6	Lift height	mm	3000												
7	Free lift height	mm	130												
8	Fork size	L×W×T	1220×150×55 1220×150×60 1220×150×65 1220×150×55 1220×150×60 1220×150×65 1220×150×55 1220×150×60 1220×150×65												
9	Mast tilt range	F/R	6/12												
10	Fork overhang(wheel center to fork face)	mm	635												
11	Rear overhang	mm	700	810	770	700	770	770	700	770	770	700	770	770	
12	Length to face of fork	mm	3480	3590	3590	3480	3590	3590	3480	3590	3590	3480	3590	3590	
13	Overall width	mm	1985												
14	Overall dimensions	mm	2510												
15	Mast lowered height	mm	4429												
16	Mast extended height	mm	2430												
17	Overhead guard height	mm	2430												
17	Turning radius(outside)	mm	3330	3480	3480	3330	3480	3480	3330	3480	3480	3330	3480	3480	
18	Minimum rectangular aisle width.	mm	4068	4218	4218	4068	4218	4218	4068	4218	4218	4068	4218	4218	
19	Speed	Km/h	26												
21	Travel (No load)	mm/sec	500/330												
21	Lifting (Full load)	mm/sec	500/330												
22	Max. Drawbar Pull (Full load)	N	42000	42000	42000	42000	42000	42000	42000	42000	42000	42000	42000	42000	
22	Max. Drawbar Pull (Full load)	N	42000	42000	42000	42000	42000	42000	42000	42000	42000	42000	42000	42000	
23	Max Gradeability (Full load)	%	20												
24	Tyres	mm	8.25-15-14PR												
25	Rear	mm	8.25-15-14PR												
26	Front	mm	1470												
27	Tread	mm	1700												
27	Rear	mm	1700												
28	Wheelbase	mm	2250												
29	Ground clearance	mm	200/160												
29	Mast (No/Full load)	mm	240/200												
29	Frame (No/Full load)	mm	240/200												
31	Self-weight	Kg	8000	8650	9050	8000	8650	9050	8000	8650	9050	8000	8650	9050	
32	Weight	Kg	10660	12452	13642	10660	12452	13642	10660	12452	13642	10660	12452	13642	
33	Weight Distribution		2340	2198	2028	2340	2198	2028	2340	2198	2028	2340	2198	2028	
34	Weight Distribution		2800	3028	3168	2800	3028	3168	2800	3028	3168	2800	3028	3168	
35	Battery	V/AH	5200	5622	5882	5200	5622	5882	5200	5622	5882	5200	5622	5882	
36	Voltage/Capacity	V/AH	24/80												
37	Modal		S6S-T	QSF3-8										6BG32	6BG1
38	Manufacture		Mitsubishi	Cummins										CY	ISUZU
39	Rated output/r.p.m	kw	63.9/2300	86/2200										85/2200	82.3/2000
40	Engine	N.m	285/1700	470/1320										450/1400-1800	416/1400-1600
41	No.of cylinder		6	4										6	6
42	Bore×Stroke	mm	94*120	102×115										102×118	105/125
43	Displacement	cc	4996	3757										5785	6484
44	Fuel tank capacity	L	140	140										140	140
45	Manufacture		China												
45	Type		Powershift												
46	Transmissions		Powershift												
47	Stage		2/2												
48	Operating pressure	Mpa	19												

1.Special lifting height available for further information please contact us. 2.Attachment available.
 3.The specification in the table are for standard models only. For further information please contact us. 4.Specification are subject to change without notice.

CPCD80/100T8

T8 series 8.0-10.0t forklift specification:

General		EP			
1	Manufacture	CPCD80T8	CPCD100T8	CPCD80T8	CPCD100T8
2	Model				
3	Power type			Diesel	
4	Rated capacity	8000	10000	8000	10000
5	Load center				
6	Lift height	mm		600	
7	Free lift height	mm		3000	
8	Fork size	mm		200	
9	Mast tilt range	deg		6/12	
10	Fork overhang(wheel center to fork face)	mm		728	
11	Rear overhang	mm	700	700	700
12	Length to face of fork	mm	4250	4250	4250
13	Overall width	mm		3950	3950
14	Mast lowered height	mm		2245	
15	Mast extended height	mm		2850	
16	Overhead guard height	mm		4420	
17	Turning radius(outside)	mm	4050	4050	4050
18	Minimum rectangular aisle width.	mm	4950	4950	4950
19	Travel (No load)	Km/h		25	
20	Lifting (Full load)	mm/sec		480/350	
21	Max.Drawbar Pull (Full load)	N		58000	
22	Max.Gradeability (Full load)	%		20	
23	Tyres	mm		4x900-20-14PR	
24	Front	mm		2x900-20-14PR	
25	Rear	mm		1600	
26	Font	mm		1700	
27	Rear	mm			
28	Wheelbase	mm	2800	2500	2800
29	Ground clearance	mm		240/190	
30	Mast (No/Full load)			350/340	
31	Frame (No/Full load)				
32	Self weight	Kg	11050	11050	12900
33	Weight				
34	Distribution				
35	Front				
36	Rear				
37	Battery	V/AH		24/80	
38	Voltage/Capacity			OSF3-8	6BG1
39	Modal			Cummins	ISUZU
40	Manufacture			86/2200	82.3/2000
41	Rated output/r.p.m	kw		470/1320	416/1400-1600
42	Rated torque/r.p.m	N.m		4	6
43	No. of cylinder			102x118	105/125
44	Borex-Stroke	mm		5785	6494
45	Displacement	cc		160	160
46	Fuel tank capacity	L		China	
47	Manufacture			Powershift	
48	Type			2/2	
49	Stage			20.5	
50	Operating pressure	Mpa			

1.Special lifting height available for further information please contact us. 2.Attachment available.
 3.The specification in the table are for standard models only. For further information please contact us. 4.Specification are subject to change without notice.

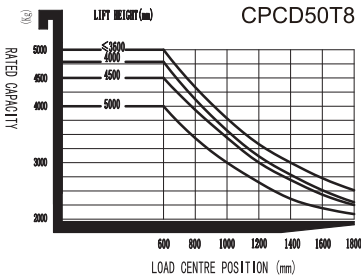
5.0/6.0/7.0t T8 series mast: (pneumatic)

Type	Model	Max. fork height	Overall height			Free lift		Front Overhang	Tilt range		Capacity		
			Lowered	Extended		Without backrest	With backrest		FWD	BWD	Load capacity at 600 mm		
				Without backrest	With backrest						5.0t	6.0t	7.0t
				mm	mm						mm	kg	kg
Wide view mast	2W300	3000	2510	4000	4430	130	130	635	6	12	5000	6000	7000
	2W330	3300	2660	4200	4730	130	130	635	6	12			
	2W350	3500	2760	4500	4930	130	130	635	6	12			
	2W400	4000	3020	5000	5430	130	130	635	6	12			
	2W450	4500	3310	5500	5930	130	130	635	6	6			
	2W500	5000	3560	6000	6430	130	130	635	6	6			
Wide view full 2-stage mast	2F300	3000	2460	4000	4430	1545	1090	635	6	12	5000	6000	—
	2F330	3300	2610	4300	4730	1695	1240	635	6	12			
	2F350	3500	2710	4500	4930	1795	1340	635	6	12			
	2F400	4000	3010	5000	5430	2095	1640	635	6	12			
Wide view full 3-stage mast	3F450	4500	2650	5750	5070	1740	1285	680	6	6	4500	5500	6500
	3F480	4800	2765	6050	5375	1845	1390	680	6	6			
	3F500	5000	2830	6250	5575	1910	1455	680	3	6			
	3F540	5400	2965	6830	6150	2045	1590	680	3	6			
	3F600	6000	3165	7250	6570	2245	1790	680	3	6			

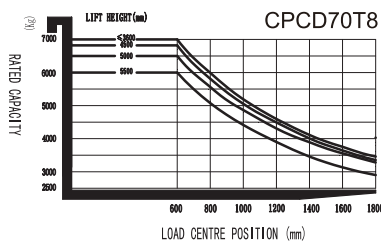
8.0/10.0t T8 series mast: (pneumatic)

Type	Model	Max. fork height	Overall height			Free lift		Front Overhang		Tilt range		Capacity		
			Lowered	Extended		Without backrest	With backrest	8.0t		FWD	BWD	Load capacity at 600 mm		
				With backrest	mm			mm	8.0t			10.0t	8.0t	10.0t
				mm	mm			mm	mm			kg	kg	
Wide view mast	2W300	3130	2920	4310	210	210	728	728	6	12	8000	10000		
	2W330	3430	3070	4610	210	210	728	728	6	12				
	2W350	3630	3170	4810	210	210	728	728	6	12				
	2W400	4130	3470	5310	210	210	728	728	6	12				
	2W450	4630	3720	5810	210	210	728	728	6	12				
	2W500	5130	3970	6310	210	210	728	728	6	6				
Wide view full 3-stage mast	3F450	4530	2900	5875	1580	1580	768	768	6	6	7200	7800		
	3F480	4830	3000	6175	1680	1680	768	768	6	6	7000	7650		
	3F500	5030	3065	6375	1745	1745	768	768	6	6	6300	7500		
	3F550	5530	3255	6775	1935	1935	768	768	3	6	6500	7200		
	3F600	6030	3455	7375	2135	2135	768	768	3	6	6000	6000		

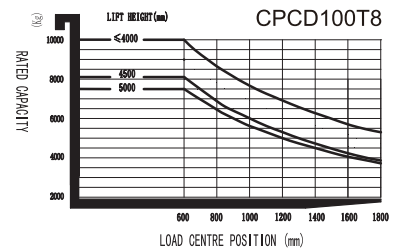
RATED CAPACITIES AND LOAD CENTERS GRAPH



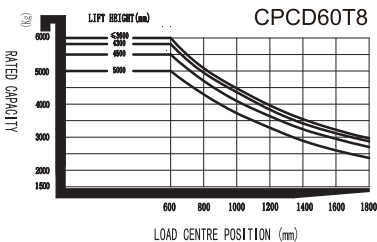
RATED CAPACITIES AND LOAD CENTERS GRAPH



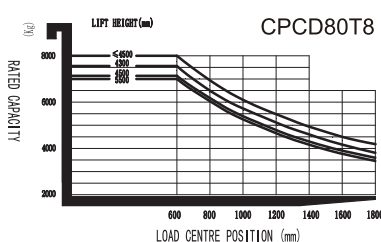
RATED CAPACITIES AND LOAD CENTERS GRAPH



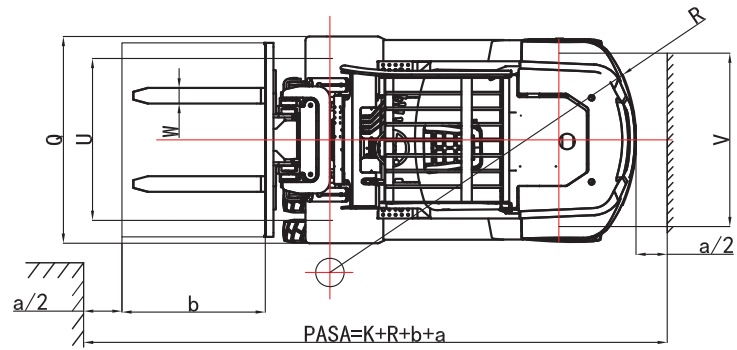
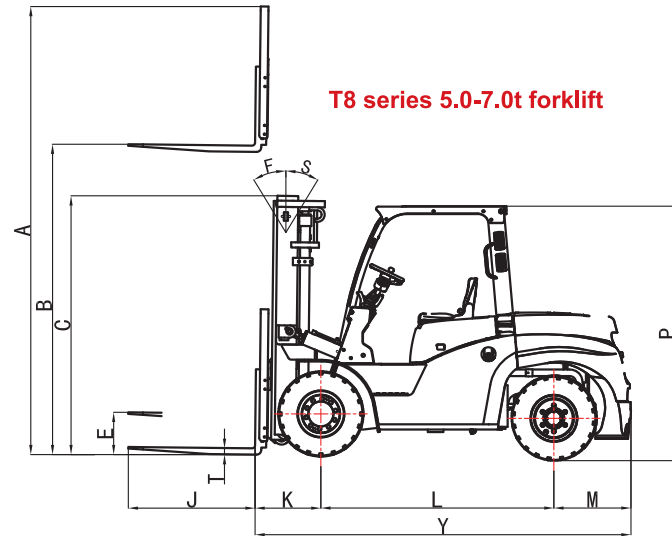
RATED CAPACITIES AND LOAD CENTERS GRAPH



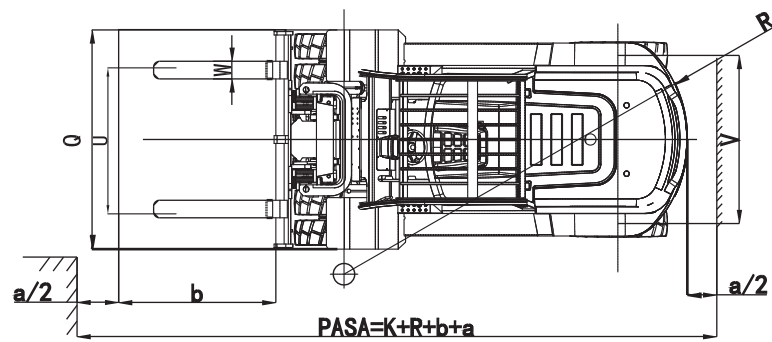
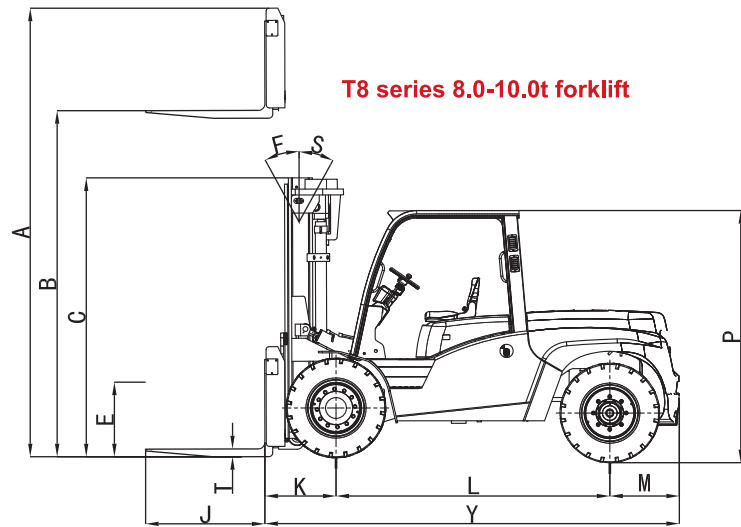
RATED CAPACITIES AND LOAD CENTERS GRAPH



T8 series 5.0-7.0t forklift



T8 series 8.0-10.0t forklift



Option

Options	CPCD50T8	CPCD60T8	CPCD70T8	CPCD80T8	CPCD100T8
1 Other dimension forks	○	○	○	○	○
2 Fork Extension	○	○	○	○	○
3 Folding fork	○	○	○	○	○
4 Fork positioner	○	○	○	○	○
5 Imported engine	○	○	○	○	○
6 High-mounted Exhaust system	○	○	○	○	○
7 Dual air cleaner	○	○	○	○	○
8 Solid tyre	○	○	○	○	○
9 No-mark tyre	○	○	○	○	○
10 Special height overhead guard	○	○	○	○	○
11 Overhead guard rainproof hood	●	●	●	●	●
12 Different lifting height masts	○	○	○	○	○
13 Attachment	○	○	○	○	○
14 Cabin	○	○	○	○	○
15 Heater	○	○	○	○	○
16 Front window with wiper	○	○	○	○	○
17 Rear window with wiper	○	○	○	○	○
18 Cabin without side doors	●	●	●	●	●
19 LED Front working light	●	●	●	●	●
20 LED rear working light	○	○	○	○	○
21 Fire extinguisher	○	○	○	○	○
22 Luxury Seat(full suspension)	○	○	○	○	○
23 Seat switch	●	●	●	●	●
24 Warning light under engine cover	○	○	○	○	○
25 Insulation mat	○	○	○	○	○
26 OPS system	○	○	○	○	○
27 Special carriage and backrest	○	○	○	○	○
28 FAN	○	○	○	○	○

Note: ● standard ○ option — NA

T8 series 5.0-7.0t forklift



T8 series 8.0-10.0t forklift

