

# MAX-8

V1907.01



## MAX-8

Excellent Performances & Reliability

**CPD18/20FVD8** Dual Traction  
Four-wheel Electric Forklift 1.8/2.0t

**CPD25/30/35FVD8** Dual Traction  
Four-wheel Electric Forklift 2.5/3.0/3.5t

International Quality Components,  
Premium Configuration, Excellent Performance

EP EQUIPMENT CO.,LTD  
[www.ep-ep.com](http://www.ep-ep.com)



# Four-wheel electric forklift 1.8/2.0t

## CPD18/20FVD8

Distinguishing mark					
1.1	Manufacturer			EP	EP
1.2	Model designation			CPD18FVD8	CPD20FVD8
1.3	Drive unit			Electrics	Electrics
1.4	Operator type			seated	seated
1.5	rated capacity	Q	t	1.8	2.0
1.6	Load center distance	c	mm	500	500
1.8	Load distance, centre of drive axle to fork	x	mm	400	400
1.9	Wheelbase	y	mm	1435	1435
Weight					
2.1	Service weight (include battery)		kg	3440	3540
2.2	Axle loading, laden driving wheels /steering wheels		kg	4625/615	4955/585
2.3	Axle loading, unladen driving wheels /steering wheels		kg	1720/1720	1720/1820
Types, Chassis					
3.1	Tyre type, driving wheels /steering wheels			solid rubber	solid rubber
3.2	Tyre size, driving wheels (diameter×width)		mm	18X7-8	200X50-10
3.3	Tyre size, steering wheels (diameter×width)		mm	16X6-8	16X6-8
3.5	Wheels, number driving/steering (x=drive wheels)		mm	2x/ 2	2x/ 2
3.6	Tread, Driving wheels	b <sub>10</sub>	mm	902	936
3.7	Tread, Steering wheels	b <sub>11</sub>	mm	890	890
Dimensions					
4.1	Tilt of mast/fork carriage forward/backward	$\alpha / \beta$ (°)		5/5	5/5
4.2	Height, mast lowered	h <sub>1</sub>	mm	2112	2112
4.3	Free lift (load backrest)	h <sub>2</sub>	mm	120	120
4.4	Lift height	h <sub>3</sub>	mm	3000	3000
4.5	Height, mast extended	h <sub>4</sub>	mm	4058	4058
4.7	Height of overhead guard (cabin)	h <sub>6</sub>	mm	2112	2112
4.8	Seat height	h <sub>7</sub>	mm	1052	1052
4.12	Tow center of pin height	h <sub>10</sub>	mm	527	527
4.19	Overall length	l <sub>1</sub>	mm	3022	3022
4.20	Length to face of forks	l <sub>2</sub>	mm	2102	2102
4.21	Overall width	b <sub>1</sub> / b <sub>2</sub>	mm	1090	1150
4.22	Fork dimensions	s/ e/ l	mm	40×100×920	40×100×920
4.23	Fork carriage class/type A, B			A	A
4.24	Fork carriage width	b <sub>3</sub>	mm	1040	1040
4.31	Ground clearance, laden, below mast	m <sub>1</sub>	mm	130	130
4.32	The minimum ground clearance of frame	m <sub>2</sub>	mm	130	130
4.34.1	Aisle width for pallets 1000 × 1200 crossways	Ast	mm	3436	3436
4.34.2	Aisle width for pallets 800 × 1200 lengthways	Ast	mm	3562	3562
4.35	Turning radius	Wa	mm	1715	1715
Performance data					
5.1	Travel speed, laden/ unladen		km/ h	13/ 14	13/ 14
5.2	Lifting speed, laden/ unladen		m/ s	0.27/ 0.43	0.26/ 0.43
5.3	Lowering speed, laden/ unladen		m/ s	0.44/ 0.435	0.44/ 0.435
5.5	Drawbar pull, laden/unladen		N		
5.6	Max. drawbar pull, laden/unladen (time)		N	/	/
5.7	Gradeability, laden/unladen		%	10.5/ 14.5	10.5/ 14.5
5.8	Max. gradeability, laden/unladen		%		
5.10	Service brake type			Hydraulic / Mechanical	Hydraulic / Mechanical
	park brake type			Hydraulic / Mechanical	Hydraulic / Mechanical
Electric-engine					
6.1	Drive motor rating S2 60 min		kW	4.8x2	4.8x2
6.2	Lift motor rating at S3 15%		kW	11	11
6.3	The maximum allowed size battery		mm	/	/
6.4	Battery voltage/nominal capacity K5			48/500	48/500
6.5	Battery weight		kg	856	856
Addition data					
8.1	Type of drive unit			AC	AC
10.5	Steering type			Hydraulic / Mechanical	Hydraulic / Mechanical
10.7	Sound pressure level at the driver's ear		dB (A)	70	74

If there are improvements of technical parameters or configurations, no further notice will be given.  
The diagram shown may contain non-standard configurations.

# Four-wheel electric forklift 2.5/3.0/3.5t CPD25/30/35FVD8

Distinguishing mark						
1.1	Manufacturer			EP	EP	EP
1.2	Model designation			CPD25FVD8	CPD30FVD8	CPD35FVD8
1.3	Drive unit			Electrics	Electrics	Electrics
1.4	Operator type			seated	seated	seated
1.5	rated capacity	Q	t	2.5	3	3.5
1.6	Load center distance	c	mm	500	500	500
1.8	Load distance, centre of drive axle to fork	x	mm	425	425	425
1.9	Wheelbase	y	mm	1550	1550	1550
Weight						
2.1	Service weight (include battery)		kg	4450	4825	5035
2.2	Axle loading, laden driving wheels /steering wheels		kg	6290/660	7045/780	7720/815
2.3	Axle loading, unladen driving wheels /steering wheels		kg	2180/2270	2290/2535	2445/2590
Types,Chassis						
3.1	Tyre type,driving wheels /steering wheels			solid rubber	solid rubber	solid rubber
3.2	Tyre size, driving wheels			21X8-9	23X9-10	23X10-12
3.3	Tyre size, steering wheels			18X7-8	18X7-8	18X7-8
3.5	Wheels, number driving/steering (x=drive wheels)		mm	2X2	2X2	2X2
3.6	Tread, Driving wheels	b <sub>10</sub>	mm	1017	1056	1075
3.7	Tread, Steering wheels	b <sub>11</sub>	mm	990	990	990
Dimensions						
4.1	Tilt of mast/fork carriage forward/backward	$\alpha/ \beta$ (°)		5/ 7.5	5/ 7.5	5/ 7.5
4.2	Height, mast lowered	h <sub>1</sub>	mm	2252	2230	2230
4.3	Free lift (load backrest)	h <sub>2</sub>	mm	110	110	110
4.4	Lift height	h <sub>3</sub>	mm	3000	3000	3000
4.5	Height, mast extended	h <sub>4</sub>	mm	4070	4010	4010
4.7	Height of overhead guard (cabin)	h <sub>6</sub>	mm	2252	2230	2230
4.8	Seat height	h <sub>7</sub>	mm	1104	1150	1150
4.12	Tow center of pin height	h <sub>10</sub>	mm	690	630	630
4.19	Overall length	l <sub>1</sub>	mm	3405	3405	3405
4.20	Length to face of forks	l <sub>2</sub>	mm	2335	2335	2335
4.21	Overall width	b <sub>1</sub> / b <sub>2</sub>	mm	1220	1256	1275
4.22	Fork dimensions	s/ e/ l	mm	40X120X1070	45X125X1070	50X125X1070
4.23	Fork carriage class/type A, B			A	3A	3A
4.24	Fork carriage width	b <sub>3</sub>	mm	1120	1120	1120
4.31	Ground clearance, laden, below mast	m <sub>1</sub>	mm	165	110	110
4.32	The minimum ground clearance of frame	m <sub>2</sub>	mm	165	110	110
4.34.1	Aisle width for pallets 1000 × 1200 crossways	Ast	mm	3670	3670	3670
4.34.2	Aisle width for pallets 800 × 1200 lengthways	Ast	mm	3800	3800	3800
4.35	Turning radius	Wa	mm	1920	1920	1920
Performance data						
5.1	Travel speed, laden/ unladen		km/ h	14/14.5	14/14.5	14/14.5
5.2	Lifting speed, laden/ unladen		m/ s	0.25/0.35	0.25/0.35	0.25/0.35
5.3	Lowering speed, laden/ unladen		m/ s	0.44/ 0.435	0.44/ 0.435	0.44/ 0.435
5.5	Drawbar pull, laden/unladen		N	—	—	—
5.6	Max. drawbar pull, laden/unladen (time)		N	13500	13500	13500
5.7	Gradeability, laden/unladen		%	—	—	—
5.8	Max. gradeability, laden/unladen		%	10.5/14.5	10.5/14.5	10.5/14.5
5.10	Service brake type			Hydraulic / Mechanical	Hydraulic / Mechanical	Hydraulic / Mechanical
	park brake type			Hydraulic	Hydraulic	Hydraulic
Electric-engine						
6.1	Drive motor rating S2 60 min		kW	2X4.8	2X10	2X10
6.2	Lift motor rating at S3 15%		kW	8.6	10	10
6.3	The maximum allowed size battery		mm	—	—	—
6.4	Battery voltage/nominal capacity K5			48/700(max850)	80/500(max550)	80/500(max550)
6.5	Battery weight		kg	1160	1358	1358
Addition data						
8.1	Type of drive unit			AC	AC	AC
10.5	Steering type			—	—	—
10.7	Sound pressure level at the driver's ear		dB (A)	70	70	70

If there are improvements of technical parameters or configurations, no further notice will be given.  
The diagram shown may contain non-standard configurations.

# Mast Option

## CPD 18/20FVD8

Type	Model	Max.fork height h3	Overall height				Free lift		Front Overhang X		Tilt range		Capacity	
			Lowered h1	Extended		Without backrest	With backrest h2	1.8t	2.0t	FWD α	BWD β	Load capacity at 500 mm		
				Without backrest	With backrest							Single tire		
				mm	mm							mm	mm	1.8t
		mm	mm	mm	mm	mm	mm	mm	Deg	Deg	kg	kg		
Duplex ZT	2W200	2000	1512	2515	3058	120	120	400	400	5	5	1800	2000	
	2W250	2500	1762	3015	3558	120	120	400	400	5	5	1800	2000	
	2W270	2700	1862	3215	3758	120	120	400	400	5	5	1800	2000	
	2W300	3000	2012	3515	4058	120	120	400	400	5	5	1800	2000	
	2W330	3300	2162	3815	4358	120	120	400	400	5	5	1800	2000	
	2W350	3500	2262	4015	4558	120	120	400	400	5	5	1800	2000	
	2W360	3600	2312	4115	4658	120	120	400	400	5	5	1800	2000	
	2W400	4000	2565	4515	5058	120	120	400	400	3	4	1600	1800	
	2W425	4250	2687	4765	5308	120	120	400	400	3	4	1500	1700	
2W450	4500	2812	5015	5558	120	120	400	400	3	4	1400	1600		
Duplex ZZ	2F250	2500	1795	3015	3558	1280	737	400	400	5	5	1800	2000	
	2F270	2700	1895	3215	3758	1380	837	400	400	5	5	1800	2000	
	2F300	3000	2045	3515	4058	1530	987	400	400	5	5	1800	2000	
	2F330	3300	2195	3815	4358	1680	1137	400	400	5	5	1800	2000	
	2F360	3600	2345	4115	4658	1830	1287	400	400	5	5	1800	2000	
	2F400	4000	2545	4515	5058	2030	1487	400	400	3	4	1700	1900	
Triplex DZ	3F435	4350	2015	4865	5408	1471	957	400	400	3	4	1450	1600	
	3F450	4500	2065	5015	5558	1521	1007	400	400	3	4	1350	1500	
	3F480	4800	2165	5315	5858	1621	1107	400	400	3	4	1250	1400	
	3F500	5000	2230	5515	6058	1686	1172	400	400	3	4	1150	1350	
	3F550	5500	2400	6015	6558	1856	1342	400	400	3	4	1100	1250	
	3F600	6000	2615	6515	7058	2071	1557	400	400	3	4	900	1150	

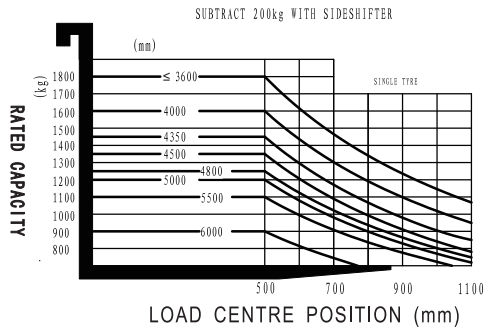
## CPD 25FVD8

Type	Model	Max.fork height h3	Overall height				Free lift		Front Overhang X	Tilt range		Capacity	
			Lowered h1	Extended		Without backrest	With backrest h2	2.5t		FWD α	BWD β	Load capacity at 500 mm	
				Without backrest	With backrest h4							Single tire	
				mm	mm				mm			mm	kg
Duplex ZT	2W200	2000	1550	2745	3070	110	110	425	5	7.5	2500		
	2W250	2500	1820	3245	3570	110	110	425	5	7.5	2500		
	2W270	2700	1900	3445	3770	110	110	425	5	7.5	2500		
	2W300	3000	2050	3745	4070	110	110	425	5	7.5	2500		
	2W330	3300	2200	4045	4370	110	110	425	5	7.5	2500		
	2W350	3500	2300	4245	4570	110	110	425	5	7.5	2500		
	2W360	3600	2350	4345	4670	110	110	425	5	7.5	2500		
	2W400	4000	2600	4745	5070	110	110	425	5	7.5	2300		
	2W430	4300	2750	5045	5370	110	110	425	5	7.5	2100		
2W450	4500	2850	5245	5570	110	110	425	5	7.5	2000			
Duplex ZZ	2F250	2500	1835	3265	3570	1035	730	425	5	7.5	2500		
	2F270	2700	1935	3465	3770	1135	830	425	5	7.5	2500		
	2F300	3000	2085	3765	4070	1285	980	425	5	7.5	2500		
	2F330	3300	2235	4065	4370	1435	1130	425	5	7.5	2500		
	2F360	3600	2385	4365	4670	1585	1280	425	5	7.5	2500		
	2F400	4000	2635	4765	5070	1835	1530	425	5	7.5	2300		
Triplex DZ	3F430	4300	2085	5060	5370	1285	975	435	5	7.5	2000		
	3F450	4500	2165	5260	5570	1365	1055	435	5	7.5	1900		
	3F480	4800	2270	5560	5870	1470	1160	435	5	7.5	1700		
	3F500	5000	2355	5760	6070	1555	1245	435	5	7.5	1600		
	3F550	5500	2605	6260	6570	1805	1495	435	5	7.5	1200		
	3F600	6000	2855	6760	7070	2055	1745	435	5	7.5	800		

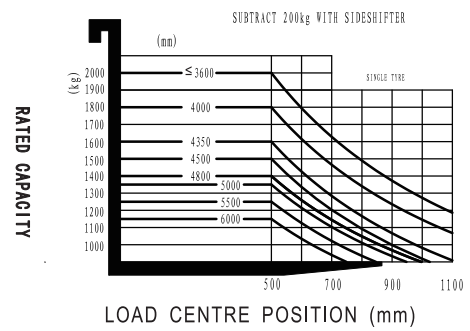
# CPD30/35FVD8

Type	Model	Max.fork height h3	Overall height				Free lift		Front Overhang X		Tilt range		Capacity	
			Lowered h1	Extended		Without backrest	With backrest h2	3.0t	3.5t	FWD α	BWD β	Load capacity at 500 mm		
				Without backrest	With backrest h4							Single tire		
												3.0t	3.5t	
mm	mm	mm	mm	mm	mm	mm	mm	Deg	Deg	kg	kg			
Duplex ZT	2W200	2000	1560	2685	3010	110	110	425	425	5	7.5	3000	3500	
	2W250	2500	1810	3185	3510	110	110	425	425	5	7.5	3000	3500	
	2W270	2700	1910	3385	3710	110	110	425	425	5	7.5	3000	3500	
	2W300	3000	2060	3685	4010	110	110	425	425	5	7.5	3000	3500	
	2W330	3300	2210	3985	4310	110	110	425	425	5	7.5	3000	3500	
	2W350	3500	2310	4185	4510	110	110	425	425	5	7.5	3000	3500	
	2W360	3600	2360	4285	4610	110	110	425	425	5	7.5	3000	3500	
	2W400	4000	2610	4685	5010	110	110	425	425	5	7.5	2850	3250	
	2W430	4300	2760	4985	5310	110	110	425	425	5	7.5	2700	3000	
2W450	4500	2860	5185	5510	110	110	425	425	5	7.5	2550	2850		
Duplex ZZ	2F250	2500	1845	3205	3510	1035	730	425	425	5	7.5	3000	3500	
	2F270	2700	1945	3405	3710	1135	830	425	425	5	7.5	3000	3500	
	2F300	3000	2095	3705	4010	1285	980	425	425	5	7.5	3000	3500	
	2F330	3300	2245	4005	4310	1435	1130	425	425	5	7.5	3000	3500	
	2F360	3600	2395	4305	4610	1585	1280	425	425	5	7.5	3000	3000	
	2F400	4000	2645	4705	5010	1835	1530	425	425	5	7.5	2850	3000	
Triplex DZ	3F430	4300	2095	5000	5310	1285	975	435	435	5	7.5	2550	3250	
	3F450	4500	2175	5200	5510	1365	1055	435	435	5	7.5	2400	2850	
	3F480	4800	2280	5500	5810	1470	1160	435	435	5	7.5	2250	2500	
	3F500	5000	2365	5700	6010	1555	1245	435	435	5	7.5	2100	2300	
	3F550	5500	2615	6200	6510	1805	1495	435	435	5	7.5	1650	1750	
	3F600	6000	2865	6700	7010	2055	1745	435	435	5	7.5	1200	1250	

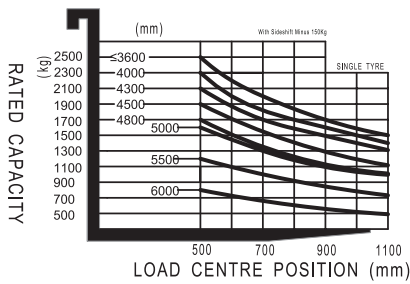
CPD18FVD8 RATED CAPACITIES GRAPH



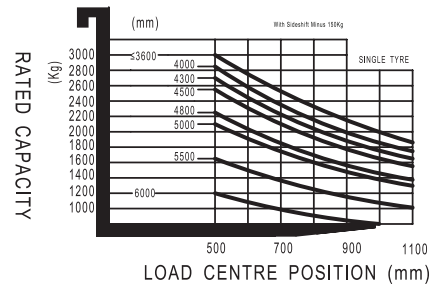
CPD20FVD8 RATED CAPACITIES GRAPH



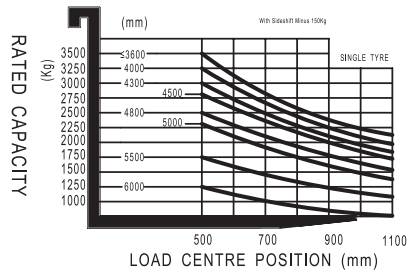
CPD25FVD8 RATED CAPACITIES GRAPH



CPD30FVD8 RATED CAPACITIES GRAPH

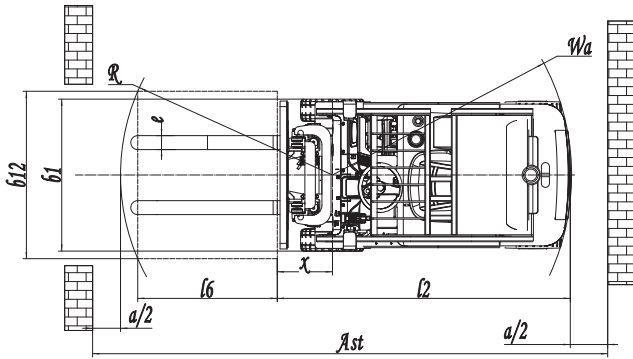
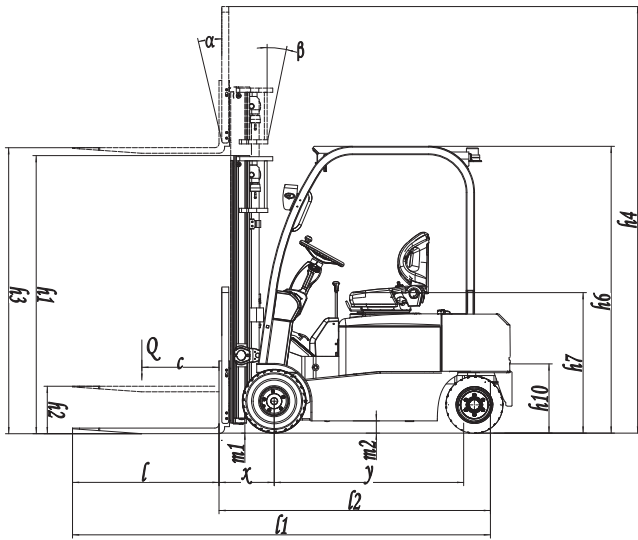


CPD35FVD8 RATED CAPACITIES GRAPH

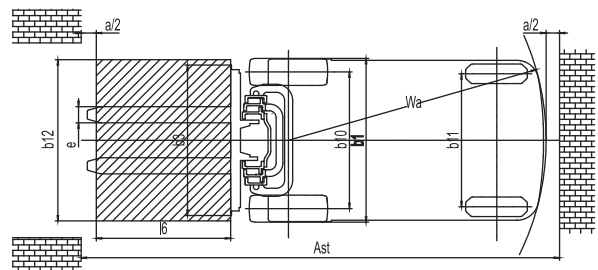
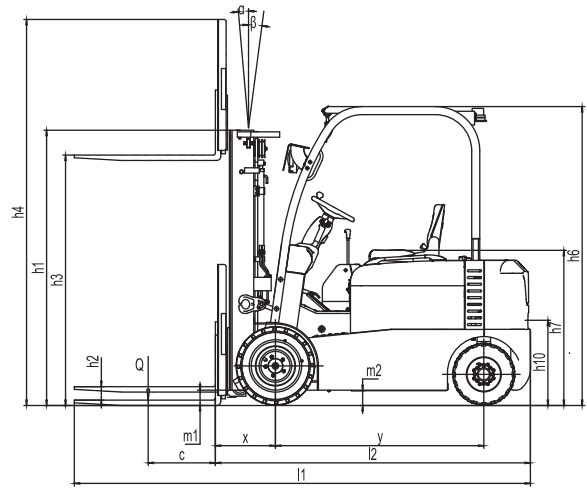




# CPD 18/20FVD8



# CPD25/30/35FVD8



## Option

Options		CPD18/20FVD8
3	Fork length	○
6	Folding fork	○
7	Weighting system with fork	—
12	Solid rubber tire	●
13	Environmental solid tire	○
15	cold storage	—
19	Battery capacity	○
20	Lateral change battery	○
21	Import battery	○
22	Water auto-filling system	○
30	Side shift	○
37	Overhead guard	○
39	Mast options	○
40	Attachments	○
41	Proportional valve	○
42	Front light	●
43	Back light	○
46	Warning light	●
48	Fire extinguisher	○
49	Seat	○
50	Seat switch	●
51	With fan heater	○
52	With front windshield wiper	○
53	With rear windshield wiper	○
54	Cockpit	○
55	Doube front wheel	—
56	Rearview	○
57	OPS system	○
58	Backrest width	○
59	Side to pull the car	○
60	Air fan	○
61	Charging voltage	●
62	Drive-in Rack	○

Note: ● standard ○ option — NA

Options		CPD25/30/35/FVD8
1	Fork length	○
2	Fold fork	—
3	Battery capacity	○
4	Import battery	○
5	Solid rubber tire	●
6	Environmental solid tire	○
7	Cold storage	○
8	Lateral change battery	●
9	fork weighing system	○
10	Overhead guard	○
11	Mast options	○
12	Attachments	○
13	Built in side shift	○
14	Proportional valve	○
17		LED front light ●
28	Light	Back light ○
22		Warning light ●
18	Fire extinguisher	○
19	Water auto-fillingsystem	○
20	Seat	○
21	Seat switch	○
23		With fan heater ○
25		With front windshield wiper ○
26	Cockpit	With rear windshield wiper ○
16		Cockpit ○
24	Doube front wheel	—
27	Rearview	○
29	OPS system	○
30	Backrest width	○
31	Environmental solid tire	○
32	Air fan	○
33	Charging voltage	○
35	Drive-in Rack	○

Note: ● standard ○ option — NA