



CQD16NRVF/CQD16NRV/CQD16RVF  
CQD16RV/CQD20RVF/CQD20RV  
Electric Sit-down Reach Truck 1.6/2.0t

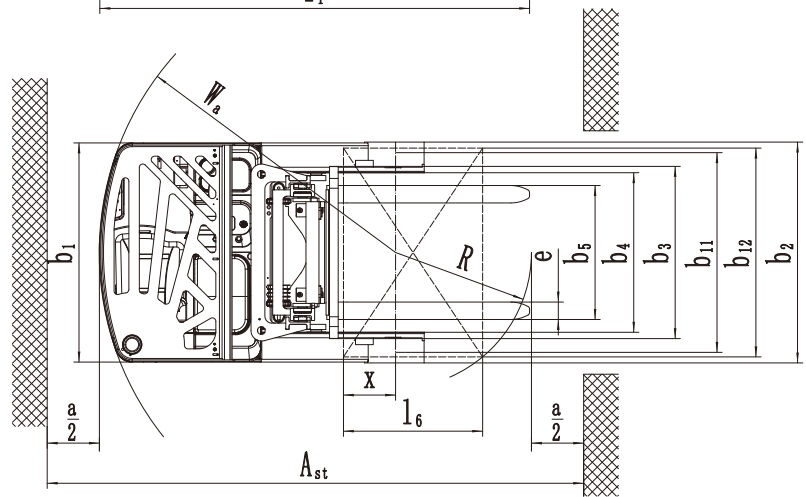
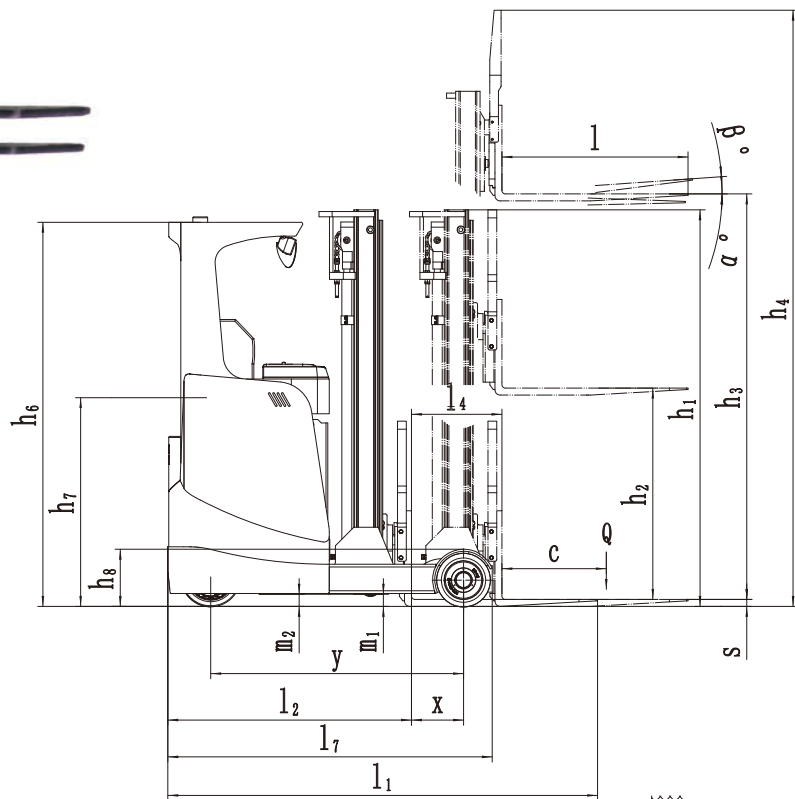
- Up to 11M Stacking Height Makes It Possible to Carry Out Order Picking at High Position with Great Intensity;
- International Quality Components;
- Ergonomics Design, Comfortable and Efficient

# Electric Reach Truck 1.6t

## CQD16NRVF/CQD16NRV/CQD16RVF CQD16RV/CQD20RVF/CQD20RV

Distinguishing mark				EP		
1.1	Manufacturer	EP				
1.2	Model designation	CQD16NRVF	CQD16NRV	CQD16RVF	CQD16RV	CQD20RVF CQD20RV
1.3	Drive unit	Battery				
1.4	Operator type	Seated				
1.5	rated capacity	Q t	1.6			2
1.6	Load center distance	c mm	600			
1.9	Wheelbase	y mm	1454	1454 <sup>①</sup>	1524 <sup>①</sup>	
Weight						
2.1	Service weight (include battery)	kg	3070 <sup>②</sup>	2940 <sup>②</sup>	2945 <sup>②</sup>	
2.2	Axle loading, fork advanced, unladen driving side/loading side	kg	1700/1310			
2.3	Axle loading, fork retracted, unladen driving side/loading side	kg	1990/1020			
2.4	Axle loading, fork advanced, laden driving side/loading side	kg	820/3820			
2.5	Axle loading, fork retracted, laden driving side/loading side	kg	1640/3000			
Types,Chassis						
3.1	Tyre type driving wheels/loading wheels	Polyurethane				
3.2	Tyre size, driving wheels (diameter×width)	mm	343×140			
3.3	Tyre size, loading wheels (diameter×width)	mm	310×96	310×118 <sup>③</sup>		
3.4	Tyre size, caster wheels (diameter×width)	mm	/	/ <sup>④</sup>		
3.5	Wheels, number driving, caster/loading (x=drive wheels)		1x, 2	1x, 2 <sup>⑤</sup>		
3.6	Track width, front,driving wheels	b <sub>10</sub> mm	0	0		
3.7	Track width,rear,loading wheels	b <sub>11</sub> mm	1106	1148 <sup>⑥</sup>		
Dimensions						
4.1	Tilt of mast/fork carriage forward/backward	α/β °	2/4			
4.2	Height, mast lowered	h <sub>1</sub> mm	2130 <sup>③</sup>			
4.3	Free lift (load backrest)	h <sub>2</sub> mm	120 <sup>③</sup>			
4.4	Lift height	h <sub>3</sub> mm	3000 <sup>③</sup>			
4.5	Height, mast extended	h <sub>4</sub> mm	4065 <sup>③</sup>			
4.7	Height of overhead guard (cabin)	h <sub>6</sub> mm	2210			
4.8	Seat height/standing height	h <sub>7</sub> mm	1200			
4.10	Height of wheel arms	h <sub>8</sub> (mm) mm	330			
4.19	Overall length (minimum)	l <sub>1</sub> mm	2502 <sup>①</sup>	2470 <sup>①</sup>		
4.20	Length to face of forks	l <sub>2</sub> mm	1432 <sup>①</sup>	1400 <sup>①</sup>		
4.21	Overall width	b <sub>1</sub> / b <sub>2</sub> mm	1192/1202	1260/1270 <sup>⑥</sup>		
4.22	Fork dimensions	s/ e/ l mm	40×100×1070			40×120×1070
4.23	Fork carriage class/type A, B	mm	A			
4.24	Fork carriage width	b <sub>3</sub> mm	990			
4.25	Distance between fork-arms	b <sub>5</sub> mm	200/770	240/740		
4.26	Distance between wheel arms/loading surfaces	b <sub>4</sub> mm	899	915		
4.28	Reach distance	l <sub>4</sub> mm	475 <sup>①</sup>	520 <sup>①</sup>		
4.31	Ground clearance, laden, below mast	m <sub>1</sub> mm	70			
4.32	Ground clearance, center of wheelbase	m <sub>2</sub> mm	70 <sup>②</sup>			
4.34.1	Aisle width for pallets 1000 × 1200 crossways	Ast mm	2850 <sup>①</sup>	2827 <sup>①</sup>	2842 <sup>①</sup>	
4.34.2	Aisle width for pallets 800 × 1200 lengthways	Ast mm	2918 <sup>①</sup>	2891 <sup>①</sup>	2893 <sup>①</sup>	
4.35	turning radius	Wa mm	1705	1705 <sup>①</sup>	1770 <sup>①</sup>	
4.37	Length across wheel arms (exclusive fork)	l <sub>7</sub> mm	1865	1865 <sup>①</sup>	1935 <sup>①</sup>	
Performance data						
5.1	Travel speed, laden/ unladen	km/ h	10/11			9/9.5
5.2	Lifting speed, laden/ unladen	m/ s	0.34/0.45			0.28/0.42
5.3	Lowering speed, laden/ unladen	m/ s	0.31/0.33			0.3/0.33
5.4	Reaching speed, laden / unladen	m/ s	0.9/0.9			
5.8	Max. gradeability, laden/unladen	%	10/15			
5.10	Service brake type	Electromagnetic				
	Park brake type	Electromagnetic				
Electric-engine						
6.1	Drive motor rating S2 60 min	kW	6.4			
6.2	Lift motor rating at S3 15%	kW	11	11	13	
6.3	The maximum allowed size battery	mm	1120×387×778	1220×355×778	1220×427×778	
6.4	Battery voltage/nominal capacity K5	V/ Ah	48/500 <sup>④</sup>			
6.5	Battery weight	kg	820 <sup>④</sup>	925 <sup>④</sup>	925 <sup>④</sup>	
Addition data						
8.1	Type of drive unit	AC				
10.5	Steering type	Electronic				
10.7	Sound pressure level at the driver's ear	dB (A)	75			

1. ①、②、③、④、⑤、⑥ in the parameters is optional configuration , Please see the corresponding schedule ;  
 2. ④ in the CQD20 parameters,When mast lifting height h<sub>3</sub>≥10m , tyre size of loading wheels for Φ310×208mm , loading wheels track width for 1238mm, Overall width for 1260/1450mm , center of wheelbasem at ground clearance for 20mm .  
 3. ⑤ in the CQD16 parameters , with two caster wheels and size for Φ102×51mm When mast lifting height h<sub>3</sub>≥8m ;  
 ⑥ in the CQD20 parameters , with two caster wheels and size for Φ102×51mm When mast lifting height h<sub>3</sub><10m .



with side shift Mast style Lift height(h <sub>3</sub> ) Battery capacity	COD16N			COD16			COD20			
	2-stage mast h <sub>3</sub> < 7m	3-stage mast h <sub>3</sub> ≤ 7.5m	3-stage mast h <sub>3</sub> ≤ 7m	2-stage mast h <sub>3</sub> < 7m	3-stage mast h <sub>3</sub> ≤ 7.5m	3-stage mast h <sub>3</sub> ≤ 7m	2-stage mast h <sub>3</sub> < 7m	3-stage mast h <sub>3</sub> ≤ 7.5m	3-stage mast h <sub>3</sub> ≤ 7m	
Wheelbase	Y	1454	1454	1454	1454	1524	1524	1524	1524	
Overall length (minimum)	I <sub>1</sub>	2502	2528	2472	2498	2503	2472	2498	2503	
Length to face of forks	I <sub>2</sub>	1432	1458	1402	1428	1433	1402	1428	1433	
Reach distance	I <sub>4</sub>	475	450	520	495	555	585	560	625	
Aisle width for pallets 1000 × 1200 crossways	Ast	2850	2870	2827	2847	2864	2842	2860	2884	
Aisle width for pallets 800 × 1200 lengthways	Ast	2918	2941	2891	2914	2921	2893	2917	2928	
Aisle width for pallets 1000 × 1200 lengthways	Ast	2961	2984	2932	2958	2967	2941	2963	2977	
Aisle width for pallets 800 × 1200 crossways	Ast	2705	2723	2686	2703	2728	2709	2725	2757	
Turning radius	W <sub>a</sub>	1705								
Length across wheel arms (exclusive fork)	I <sub>7</sub>	1865			1935			2005		

② Service weight (include battery)

Mast height (mm)	COD16N			COD20		
	2-stage mast	3-stage mast	3-stage mast	2-stage mast	3-stage mast	3-stage mast
3000	3070	2940	2945	3070	2940	2945
3300	3100	2970	2975	3300	2970	2975
3640	3130	3000	3005	3640	3130	3005
4000	3160	3030	3035	4000	3160	3035
4300	3190	3060	3065	4300	3190	3065
4520	3220	3090	3095	4520	3220	3095
5000	3250	3120	3125	5000	3250	3125
5480	3280	3150	3155	5480	3280	3155
6000	3310	3180	3185	6000	3310	3185
4050	3270	3240	3245	4050	3270	3245
4500	3320	3290	3295	4500	3320	3295
5000	3370	3340	3345	5000	3370	3345
5500	3420	3390	3395	5500	3420	3395
6000	3470	3440	3445	6000	3470	3445
6500	3520	3490	3495	6500	3520	3495
7000	-	3540	3545	7000	-	3545
7500	-	3590	3595	7500	-	3595
8000	-	3870	3875	8000	-	3875
8500	-	3925	3930	8500	-	3930
9000	-	3980	3985	9000	-	3985
9500	-	4035	4040	9500	-	4040
10000	-	-	4570	10000	-	4570
10500	-	-	4630	10500	-	4630
11000	-	-	4690	11000	-	4690

③ Mast

Mast height (mm)	COD16N 2-stage mast			COD20		
	Lift height	Lowered mast height	Extended mast height	Lift height	Lowered mast height	Extended mast height
2700	h3	h1	h4(*)	2700	h3	h4(*)
3000	3000	2130	3765	3000	2130	3765
3300	3300	2280	4065	3300	2280	4065
3640	3640	2450	4365	3640	2450	4365
4000	4000	2630	4680	4000	2630	4680
4300	4300	2780	4880	4300	2780	4880
4520	4520	2960	5140	4520	2960	5140
5000	5000	3200	5620	5000	3200	5620
5480	5480	3460	6120	5480	3460	6120
6000	6000	3720	6640	6000	3720	6640
note: (*) for without backrest						

Mast height (mm)	COD16N 3-stage mast (≤6500mm)			COD20 3-stage mast (≤7500mm)		
	Lift height	Lowered mast height	Extended mast height	Lift height	Lowered mast height	Extended mast height
4050	h3	h1	h4(*)	4050	h3	h4(*)
4500	4500	2130	5130	4500	2130	5130
5000	5000	2280	5580	5000	2280	5580
5500	5500	2450	6090	5500	2450	6090
6000	6000	2630	6630	6000	2630	6630
6500	6500	2780	7080	6500	2780	7080
note: (*) for without backrest						

Mast height (mm)	COD16-20 2-stage mast			COD16-20 3-stage mast (≤7500mm)		
	Lift height	Lowered mast height	Extended mast height	Lift height	Lowered mast height	Extended mast height
2700	h3	h1	h4	2700	h3	h4
3000	3000	2130	3765	3000	2130	3765
3300	3300	2280	4065	3300	2280	4065
3640	3640	2450	4365	3640	2450	4365
4000	4000	2630	4680	4000	2630	4680
4300	4300	2780	4880	4300	2780	4880
4520	4520	2960	5140	4520	2960	5140
5000	5000	3200	5620	5000	3200	5620
5480	5480	3460	6120	5480	3460	6120
6000	6000	3720	6640	6000	3720	6640
note: (*) for without backrest						

1. The parameters in the table are of the standard model. For more information please contact us.  
 2. The parameters are subject to change without notice.

④ Battery

CQD16N		CQD16			CQD20					
Capacity (Ah)	3HPzS 400	4HPzS 500	4HPzS 600	3HPzS 400	4HPzS 500	4HPzS 600	4HPzS 500	4HPzS 600	5HPzS 700	5HPzS 750
Battery weight (kg)	745	820	900	745	925	935	925	935	1115	1140

options	CQD16RVF	CQD16NRVF	CQD16RV	CQD16NRV	CQD20RVF	CQD20RV
High capacity battery	○ 400/600/700/750Ah	○ 400/600Ah	○ 400/600/700/750Ah	○ 400/600Ah	○ 400/600/700/750Ah	○ 400/600/700/750Ah
lateral battery change	●	●	●	●	●	●
Cold storage (Apply to -20°C)	●	●	●	●	●	●
Beeper	●	●	●	●	●	●
Height indicator	○	○	●	○	○	●
Camera	●	●	●	●	●	●
Fire extinguisher	●	●	●	●	●	●
Front wheel side guard plate	●	●	●	●	●	●
Special modification for Drive-in Racking	●	●	●	●	●	●
OPS system	●	●	●	●	●	●
Water auto-filling system	●	●	●	●	●	●

● options  
○ Standard

1.The parameters in the table are the standard model, for more information please contact us.  
2.The parameters are subject to change without notice.

**RATED CAPACITIES GRAPH**

