
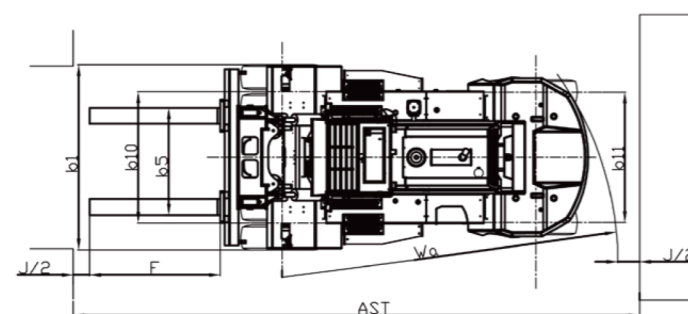
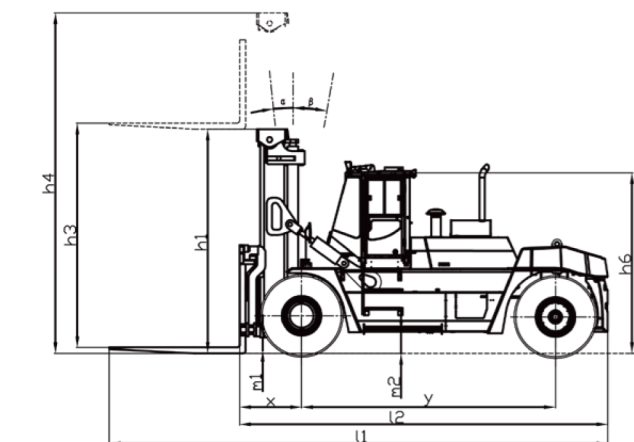
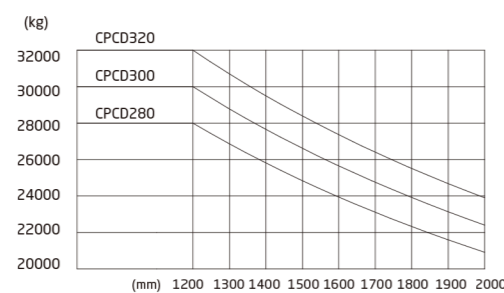


Heavy IC Forklift Truck

										
Distinguishing mark	1.1	Manufacturer								
	1.2	Manufacturer's type designation	CPCD280-W36	CPCD280-W50	CPCD300-W36	CPCD300-W50	CPCD320-W36	CPCD320-W50		
		Type	Variable system	Variable system	Variable system	Variable system	Variable system	Variable system		
	1.3	Drive: electric (battery or mains), diesel, petrol, fuel gas	Diesel	Diesel	Diesel	Diesel	Diesel	Diesel		
	1.4	Operator type: hand, pedestrian, standing, seated, order-picker	Seated	Seated	Seated	Seated	Seated	Seated		
	1.5	Rated capacity/rated load	Q (kg)	28000	28000	30000	30000	32000	32000	
	1.6	Load centre distance	c (mm)	1200	1200	1200	1200	1200	1200	
	1.8	Load distance, centre of drive axle to fork	x (mm)	1160	1160	1160	1160	1160	1160	
	1.9	Wheelbase	y (mm)	4750	4750	4750	4750	4750	4750	
Weight	2.1	Service Weight	kg	40000	40000	42000	42000	43500	43500	
Tyres, chassis	3.2	Tyre size, front		16.00-25-32PR	16.00-25-32PR	16.00-25-32PR	16.00-25-32PR	16.00-25-32PR	16.00-25-32PR	
	3.3	Tyre size, rear		16.00-25-32PR	16.00-25-32PR	16.00-25-32PR	16.00-25-32PR	16.00-25-32PR	16.00-25-32PR	
	3.5	Wheels, number front / rear (x = driven wheels)		4x/2	4x/2	4x/2	4x/2	4x/2	4x/2	
	3.6	Tread, front	b10 (mm)	2460	2460	2460	2460	2460	2460	
	3.7	Tread, rear	b11 (mm)	2440	2440	2440	2440	2440	2440	
Dimensions	4.1	Tilt of mast/fork carriage forward/backward	α/β(°)	6°/10°	6°/10°	6°/10°	6°/10°	6°/10°	6°/10°	
	4.2	Height, mast lowered	h1 (mm)	4200	4200	4200	4200	4200	4200	
	4.3	Free lift	h2 (mm)	0	0	0	0	0	0	
	4.4	Lift	h3 (mm)	4000	4000	4000	4000	4000	4000	
	4.5	Height, mast extended	h4 (mm)	6200	6200	6200	6200	6200	6200	
	4.7	Height of cabin	h6 (mm)	3550	3550	3550	3550	3550	3550	
	4.1.9	Overall length	l1 (mm)	9330	9330	9330	9330	9330	9330	
	4.2.0	Length to face of forks	l2 (mm)	6890	6890	6890	6890	6890	6890	
	4.2.1	Overall width	b1 (mm)	3420	3420	3420	3420	3420	3420	
	4.2.2	Fork dimensions ISO 2331	s/e/l (mm)	2440*300*110	2440*300*110	2440*300*110	2440*300*110	2440*300*110	2440*300*110	
	4.2.5	Distance between fork-arms	bs (mm)	1000/3000	1000/3000	1000/3000	1000/3000	1000/3000	1000/3000	
	4.3.1	Ground clearance, laden, below mast	m1 (mm)	300	300	300	300	300	300	
	4.3.2	Ground clearance, centre of wheelbase	m2 (mm)	450	450	450	450	450	450	
	4.3.5	Turning radius	Wa (mm)	6600	6600	6600	6600	6600	6600	
		Min.right angle aisle width	mm	7760+J+F	7760+J+F	7761+J+F	7761+J+F	7762+J+F	7762+J+F	
Performance Data	5.1	Travel speed, laden/unladen	km/h	22/25	22/25	22/25	22/25	22/25	22/25	
	5.2	Lift speed, laden/unladen	m/s	0.27/0.30	0.27/0.30	0.26/0.29	0.26/0.29	0.26/0.29	0.26/0.29	
	5.5	Drawbar pull, laden/unladen	N	220000/-	220000/-	220000/-	220000/-	220000/-	220000/-	
	5.7	Gradeability, laden/unladen	%	20/-	20/-	20/-	20/-	20/-	20/-	
	5.1.0	Service brake		Wet disc brake system						
		Parking brake		Spring Applied,Hydraulic release multidisc brake						
Combustion-engine	7.1	Engine manufacturer/type		CUMMINS/QSCB.3	CUMMINS/QSL9	CUMMINS/QSCB.3	CUMMINS/QSL9	CUMMINS/QSCB.3	CUMMINS/QSL9	
		Emission STD		StageIIIB/Tier3	StageIIIB/Tier4i	StageIIIA/Tier3	StageIIIB/Tier4i	StageIIIA/Tier3	StageIIIB/Tier4i	
	7.2	Engine power according to DIN ISO 1585	kw	179	186	179	186	179	186	
	7.3	Rated speed	min	2200	2200	2200	2200	2200	2200	
	7.4	Number of cylinders/displacement	(-) / (cm ³)	6/8300	6/8900	6/8300	6/8900	6/8300	6/8900	
	7.1.0	Battery voltage/nominal capacity	V/Ah	2*12/150	2*12/150	2*12/150	2*12/150	2*12/150	2*12/150	
		Rated torque	N.m/r/min	1085/1500	1085/1500	1085/1500	1085/1500	1085/1500	1085/1500	
		Bore x stroke	mm	114*135	114*145	114*135	114*145	114*135	114*145	



28-32t Forklift Mast Specification


Type	Max. fork height			Overall height						Tilt range		
				Lowered			Extended			FWD/RWD		
	mm	mm	mm	mm	mm	mm	mm	mm	mm	(°)	(°)	(°)
Wide view mast	28t	30t	32t	28t	30t	32t	28t	30t	32t	28t	30t	32t
	3600	3600	3600	4000	4000	4000	5790	5790	5790	6/10	6/10	6/10
	4000	4000	4000	4200	4200	4200	6190	6190	6190	6/10	6/10	6/10
	4300	4300	4300	4350	4350	4350	6490	6490	6490	6/10	6/10	6/10
	4500	4500	4500	4450	4450	4450	6690	6690	6690	6/10	6/10	6/10
	4800	4800	4800	4600	4600	4600	6990	6990	6990	6/10	6/10	6/10
	5000	5000	5000	4750	4750	4750	7240	7240	7240	6/10	6/10	6/10
	5500	5500	5500	5000	5000	5000	7740	7740	7740	3/6	3/6	3/6
	6000	6000	6000	5300	5300	5300	8290	8290	8290	3/6	3/6	3/6
	6500	6500	6500	5550	5550	5550	8790	8790	8790	3/6	3/6	3/6
7000	7000	7000	5850	5850	5850	9340	9340	9340	3/6	3/6	3/6	



Heavy IC Forklift Truck

with capacities of 28,000 to 32,000kg



 E-P Equipment Co., LTD
Let's grow together...

www.ep-ep.com
www.epforklift.com

China: (Headquarters)
E-P EQUIPMENT CO., LTD
No. 121 YongHua Street, Shi Qiao Road, Xia Cheng
Qu Hangzhou, China
Tel: 86-571-28035676/28035633/28035657/28035653
Fax: 86-571-28035665
Email: info@ep-ep.com

USA:
E-P EQUIPMENT, USA CORP.
1770 Campton Road
Inmam, SC 29349
Tel: 86-571-28035676/28035633/28035657/28035653
Fax: 86-571-28035665
E-mail: info@ep-ep.com

Japan:
E-P EQUIPMENT JAPAN
#1052-16-10 Hirao, Inagi-shi
Tokyo 206-0823 Japan
Tel: 81-42-3506422
Fax: 81-42-3506423
E-mail: ep-japan@ep-ep.com

Korea:
E-P EQUIPMENT KOREA
1058-Ra Dong, Buck Yi-Dong,
Ilсан/Gu, Koyang/Shi, Kyunggi/
Du, Korea
Tel: 82-31-9254100
Fax: 82-31-9254102
E-mail: ep@ep-ep.co.kr