



# JX2-1

## Order-picking Truck 0.7t

Compact design medium level order picker for both box picking and pallet operating;  
Dual lifting system, wider operating view

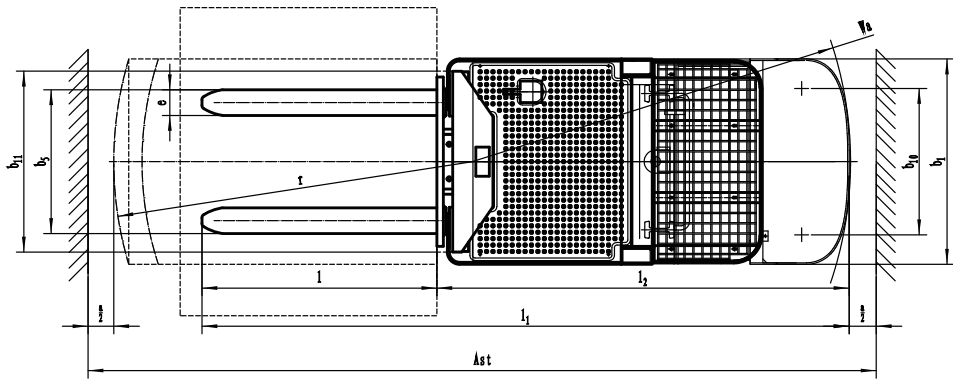
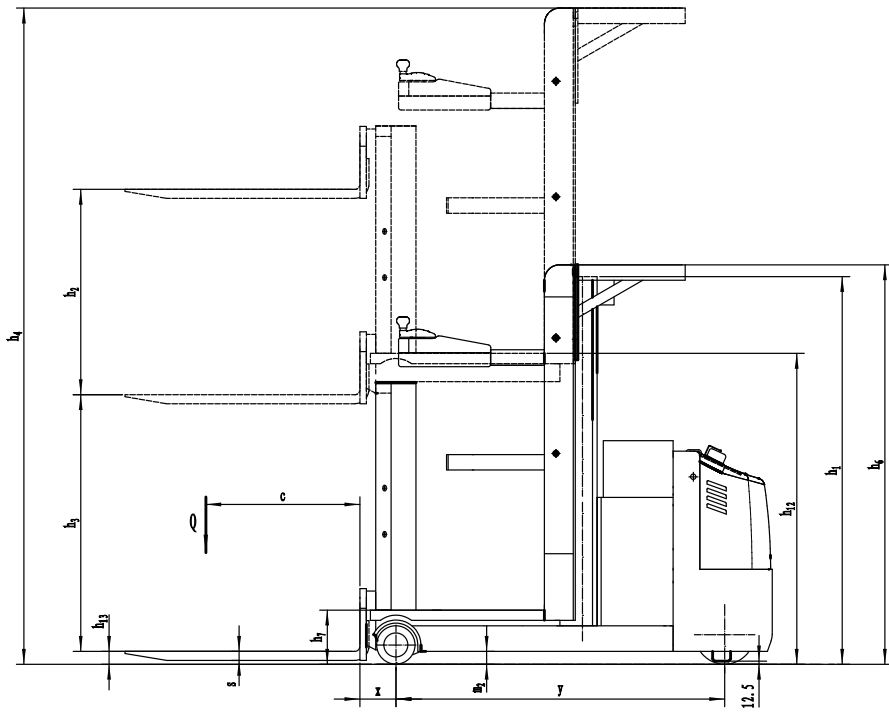
EP EQUIPMENT CO.,LTD  
[www.ep-ep.com](http://www.ep-ep.com)



# Order-picking Truck 0.7t JX2-1

| Distinguishing mark |   |              |        |                 |
|---------------------|---|--------------|--------|-----------------|
| 1.1                 | Manufacturer  |              |        | EP              |
| 1.2                 | Model designation                                       |              |        | JX2-1           |
| 1.3                 | Drive unit  |              |        | Electrical      |
| 1.4                 | Operator type   |              |        | standing        |
| 1.5                 | rated capacity  | Q            | kg     | 700             |
| 1.6                 | Load center distance                                    | c            | mm     | 600             |
| 1.8                 | Load distance, centre of drive axle to fork             | x            | mm     | 140             |
| 1.9                 | Wheelbase   | y            | mm     | 1280            |
| Weight              |   |              |        |                 |
| 2.1                 | Service weight (include battery)                        |              | kg     | 1620            |
| 2.2                 | Axle loading, laden driving side/loading side           |              | kg     | 520/1800        |
| 2.3                 | Axle loading, unladen driving side/loading side         |              | kg     | 920/700         |
| Types,Chassis       |   |              |        |                 |
| 3.1                 | Tyre type, Driving wheels/Loading wheels                |              |        | PU/PU           |
| 3.2                 | Tyre size, driving wheels (Diameter×Width)              |              | mm     | Φ230×75         |
| 3.3                 | Tyre size, loading wheels (Diameter×Width)              |              | mm     | Φ150×90         |
| 3.4                 | Tyre size, caster wheels (diameter×width)               |              | mm     | Φ74×48          |
| 3.5                 | Wheels, number driving, caster/loading (x=drive wheels) |              | mm     | 1x,2/2          |
| 3.6                 | Track width, front,driving side                         | b10          | mm     | 570             |
| 3.7                 | Track width,rear,loading side                           | b11          |        | 710             |
| Dimensions          |   |              |        |                 |
| 4.2                 | Height, mast lowered                                    | h1           | mm     | 1510            |
| 4.4                 | Lift height   | h3           | mm     | 1000            |
| 4.5                 | Height, mast extended                                   | h4           | mm     | 2560            |
| 4.7                 | Height of overhead guard (cabin)                        | h6           | mm     | 1560            |
| 4.8                 | Seat height/standing height                             | h7           | mm     | 220             |
| 4.14                | Stand height, elevated                                  | h12          | mm     | 1220            |
| 4.15                | Lowered height  | h13          | mm     | 63              |
| 4.19                | Overall length  | l1           | mm     | 2520            |
| 4.20                | Length to face of forks                                 | l2           | mm     | 1605            |
| 4.21                | Overall width   | b1/ b2       | mm     | 800             |
| 4.22                | Fork dimensions   | s/ e/ l      | mm     | 35/100/915      |
| 4.25                | Outside width of the forks                              | b5           | mm     | 560             |
| 4.26                | Fork lift height  | h2 + h13     | mm     | 800             |
| 4.32                | Ground clearance, center of wheelbase                   | m2           | mm     | 50              |
| 4.34.1              | Aisle width for pallets 1000 × 1200 crossways           | Ast          | mm     | 2950            |
| 4.34.2              | Aisle width for pallets 800 × 1200 lengthways           | Ast          | mm     | 3070            |
| 4.35                | Turning radius  | Wa           | mm     | 1470            |
| 4.41                | Total lift  | h2 + h3+ h13 | mm     | 1800            |
| Performance data    |   |              |        |                 |
| 5.1                 | Travel speed, laden/unladen (h12: 0-370)                |              | km/ h  | 8               |
|                     | Travel speed, laden/unladen (h12: 370-MAX)              |              | km/ h  | 3.7             |
| 5.1.1               | Travel speed, laden/unladen,backwards (h12: 0-370)      |              | km/ h  | 8               |
|                     | Travel speed, laden/unladen,backwards (h12: 370-MAX)    |              | km/ h  | 3.7             |
| 5.2                 | Lifting speed, laden/ unladen                           |              | m/ s   | 0.13/0.16       |
| 5.3                 | Lowering speed, laden/ unladen)                         |              | m/ s   | 0.16/0.18       |
| 5.8                 | Max. gradeability, laden/unladen                        |              | %      | 0               |
| 5.10                | Service brake type                                      |              |        | Electromagnetic |
| Electric-engine     |   |              |        |                 |
| 6.1                 | Drive motor rating S2 60 min                            |              | kW     | 2.5             |
| 6.2                 | Lift motor rating at S3 15%                             |              | kW     | 3               |
| 6.3                 | The maximum allowed size battery                        |              | mm     | 740×275×630     |
| 6.4                 | Battery voltage/nominal capacity K5                     |              | V/ Ah  | 24V/360Ah       |
| 6.5                 | Battery weight  |              | kg     | 330             |
| Addition data       |   |              |        |                 |
| 8.1                 | Type of drive unit                                      |              |        | AC              |
| 10.5                | Steering type   |              |        | Electronic      |
| 10.7                | Sound pressure level at the driver's ear                |              | dB (A) | 75              |

If there are improvements of technical parameters or configurations, no further notice will be given.  
The diagram shown may contain non-standard configurations.



$$A_{st} = W + r + a$$

$$a = 200$$